



ALL PURPOSE CORDLESS CHEMICAL SPRAYER
4-VOLT MAX* | 2.0 Ah | 2 GAL

OPERATOR'S MANUAL

A Division of Snow Joe®, LLC

Model SJ-APS-2G-RM

Form No. SJ-SJ-APS-2G-RM-880E-M-V1

**THANKS FOR YOUR PURCHASE
OF A REMANUFACTURED PRODUCT.**

To make sure you get the most out of your product, be sure to register online at

sunjoe.com

to enjoy full product support.

PASTE UPC LABEL HERE



ALL PURPOSE CORDLESS CHEMICAL SPRAYER

4-VOLT MAX* | 2.0 Ah | 2 GAL

OPERATOR'S MANUAL

A Division of Snow Joe®, LLC

Model **SJ-APS-2G-RM**

Form No. SJ-SJ-APS-2G-RM-880E-M-V1

IMPORTANT! Safety Instructions

All Operators Must Read These Instructions Before Use

Any electrical appliance can be dangerous if used incorrectly. Some of the safety precautions given in this manual apply generally to many appliances. Other warnings are specific to the use of this cordless sprayer.

Always follow these safety guidelines. Failure to do so may result in serious bodily injury or death.

⚠️ WARNING! This indicates a hazardous situation, which, if not avoided, could result in death or serious injury.

⚠️ CAUTION! This indicates a hazardous situation, which, if not avoided, could result in minor or moderate injury.

⚠️ DANGER! This indicates a hazardous situation, which, if not followed, will result in death or serious injury.

General Safety

⚠️ WARNING! This appliance is not intended for use by children or by unassisted, unsupervised persons whose physical, sensory, or mental capabilities prevent them from using it safely. Children should be supervised to ensure that they do not play with the appliance.

Before starting up your machine, please check it carefully for any defects. If you find any, do not start up your machine. Contact your authorized Snow Joe® + Sun Joe® dealer or call the Snow Joe® + Sun Joe® customer service center at 1-866-SNOWJOE (1-866-766-9563).

⚠️ WARNING! Read all safety warnings and instructions. Failure to follow the warnings and instructions may result in electric shock, fire and/or serious injury.

⚠️ WARNING! When using the cordless chemical sprayer, basic safety precautions should always be followed to reduce the risk of fire, electric shock, and personal injury. These include:

- **Know your chemical sprayer.** Read and understand the operator's manual and observe the warnings and instruction labels affixed to the tool.

- **Do not operate the product in explosive atmospheres, such as in the presence of flammable liquids, gases or dust.** Power tools create sparks which may ignite the dust or fumes.
- **Do not expose appliance to rain or wet conditions.** Water entering a power tool will increase the risk of electric shock.
- **Do not allow bystanders or children in the area while operating this product.** Exposure to some chemicals can be hazardous.
- **Use right appliance.** Do not use appliance for any job except that for which it is intended.
- **This product is only suitable for outdoor use.**
- **Don't force appliance.** It will do the job better and with less likelihood of a risk of injury at the rate for which it was designed.
- **Stay alert, watch what you are doing and use common sense when operating this product.** Do not use while you are tired or under the influence of drugs, alcohol or medication. A moment of inattention while operating this product may result in serious personal injury.
- **Dress properly. Do not wear loose clothing or jewelry.** Contain long hair. Keep your hair, clothing, and gloves away from moving parts. Loose clothes, jewelry, or long hair can be caught in moving parts.
- **Use safety equipment.** Always wear eye protection with side shields or goggles and a dust mask. Protect eyes, skin and lungs against drifting spray and during mixing, filling, and cleaning.
- **Do not overreach.** Keep proper footing and balance at all times. Do not use on a ladder or unstable support. Stable footing on a solid surface enables better control of the product in unexpected situations.
- **Do not use the product if the switch does not turn it on and off.** Any product that cannot be controlled with the switch is dangerous and must be repaired.
- **Store idle appliances indoors.** When not in use, appliances should be stored indoors in dry, and high or locked-up place - out of reach of children.
- **Maintain appliance with care.** Keep clean for best performance and to reduce the risk of injury. Follow instructions for changing accessories.

- **Check damaged parts.** Before further use of the appliance, a guard or other part that is damaged should be carefully checked to determine that it will operate properly and perform its intended function. Check for alignment of moving parts, binding of moving parts, breakage of parts, mounting, and any other condition that may affect its operation. A guard or other part that is damaged should be properly repaired or replaced by an authorized service center unless indicated elsewhere in this manual.
- **Keep the sprayer and its handle dry, clean and free from oil and grease.** Always use a clean cloth when cleaning. Never use brake fluids, gasoline, petroleum-based products, or any strong solvents to clean your tool. Following this rule will reduce the risk of loss of control and deterioration of the enclosure plastic.
- **Use this product in accordance with these instructions and in the manner intended, taking into account the working conditions and the work to be performed.** Use of the product for operations different from those intended could result in a hazardous situation.
- **Have this product serviced by a qualified repair person using only identical replacement parts.** This will ensure that the safety of the power tool is maintained.
- **When servicing the product, use only identical replacement parts.** Follow instructions in the Maintenance section of this manual. Use of unauthorized parts or failure to follow Maintenance instructions may create a risk of shock or injury.
- **Prevent unintentional starting.** Carrying the appliance with your finger on the switch or energizing appliance that have the switch on invites accidents.
- Electric shock hazard. Never spray toward electrical outlets.
- Do not use commercial grade chemicals or chemicals for commercial or industrial purposes. Use only consumer grade water-based lawn and garden chemicals.
- Do not pour hot or boiling liquids into the tank. These can weaken or damage the hose or tank.
- Spray area must be well ventilated.
- Avoid spraying on windy days. Spray can be accidentally blown onto plants or objects that should not be sprayed.
- Store the sprayer in a secure, well-ventilated indoor space with the fluid tank empty.
- Do not use caustic (alkali) self-heating or corrosive (acid) liquids in this sprayer. These can corrode metal parts or weaken the tank and hose.
- Know the contents of the chemical being sprayed. Read all Material Safety Data Sheets (MSDS) and container labels provided with the chemical. Follow the chemical manufacturer's safety instructions.
- Do not leave residue or spray material in the tank after using the sprayer. Clean after each use.
- Do not smoke while using the sprayer, or spray where spark or flame is present.
- Risk of injection. Do not discharge directly against skin.
- To reduce the risk of electric shock, do not put the sprayer into water or other liquid. Do not place or store the sprayer where it can fall or be pulled into a tub or sink.
- Maintain this product. Thoroughly inspect both the inside and outside of the sprayer and examine the components before each use. Check for cracked and deteriorated hoses, leaks, clogged nozzles, and missing or damaged parts. If damaged, have the product repaired before use. Many accidents are caused by poorly maintained products.
- Always wear eye protection with side shields or goggles. Failure to do so could result in fluids entering your eyes resulting in possible serious injury.
- Protect your lungs. Wear a face or dust mask when using the sprayer. Following this rule will reduce the risk of serious personal injury.
- Battery tools do not have to be plugged into an electrical outlet; therefore, they are always in operating condition. Be aware of possible hazards when not using your battery tool or when changing accessories.
- Store the product out of the reach of children and do not allow persons unfamiliar with the product or these instructions to operate the product.

Specific Safety Rules for Chemical sprayer

⚠️ DANGER! Risk of fire or explosion. Do not spray flammable liquids such as gasoline. Look for warning symbols on the liquid container.

⚠️ WARNING! Some spray created from products used with the sprayer contains chemicals that may cause harm to health. Follow directions on containers of all such products. To reduce your exposure to these chemicals, wear approved safety equipment such as face masks that are specially designed to filter out sprays, gloves, and other appropriate protective equipment.

⚠️ CAUTION! When a flammable liquid is sprayed, there may be danger of fire or explosion, especially in a closed room.

- Before using any pesticide or other spray materials in this sprayer, read the label on its original container thoroughly and follow its directions. Some spray materials are dangerous and should not be used in this sprayer, as they can damage the sprayer and cause serious bodily injury or property damage.

Battery + Charger

Safety Instructions

This manual contains important safety and operating instructions for your battery and charger.

1. Before using the charger, thoroughly read all instructions and cautionary markings.

⚠WARNING! If the motor housing is cracked or damaged, do not insert the charging adaptor into the power tool or plug the power tool into the mains outlet. There is a danger of electric shock or electrocution.

2. This charger is **ONLY** intended to charge this rechargeable battery. Any other use poses a risk of fire, electric shock or electrocution.
3. Do not place any object on top of the charger or place the charger on a soft surface that may result in excessive internal heat. Keep the charger away from any heat source.
4. To reduce the risk of damaging the electric plug and cord, pull the plug, not the cord, when disconnecting the charger from the electric outlet.
5. Make sure the battery charging cable is located in a safe place so that it will not be stepped on, tripped over or otherwise subjected to damage or stress.
6. An extension cord should not be used unless absolutely necessary. Using an improper extension cord poses a risk of fire, electric shock or electrocution.
7. Do not operate the charger if it has received a sharp blow or has become damaged in any way. Contact the Snow Joe® + Sun Joe® customer service center at 1-866-SNOWJOE (1-866-766-9563) before continuing use.
8. Do not disassemble the charger. If the charger requires service or repair, contact an authorized Snow Joe® + Sun Joe® dealer or call the Snow Joe® + Sun Joe® customer service center at 1-866-SNOWJOE (1-866-766-9563). Incorrect reassembly poses a risk of electric shock, electrocution or fire.
9. To reduce the risk of electric shock, unplug the charger from the outlet before cleaning the unit.
10. Never attempt to connect two (2) chargers together.
11. **DO NOT** store or use the tool in locations where the temperature may reach or exceed 104 °F (40 °C). Dangerous storing locations include outdoor sheds or metal buildings in the summer.
12. The charger is designed to operate on standard household electrical power (100-240 V). Do not attempt to use it with any other voltage!

NOTE: The integrated battery is not fully charged out of the carton. Read the safety instructions and then follow the charging notes and procedures.

13. The longest life and best performance can be obtained if the integrated battery is charged when the air temperature is between 64.4°F – 75.2°F (18°C – 24°C). Do not charge the battery pack when the air temperature falls below 32°F (0°C) or above 104°F (40°C). Following these safety measures will prevent damage to the battery pack.
14. Do not incinerate the integrated battery even if it is seriously damaged or completely worn out. The battery can explode in a fire.
15. Battery chemicals cause serious burns – Never let a damaged battery pack contact the skin, eyes or mouth. Under abusive conditions, liquid may be ejected from the battery; avoid contact. Liquid ejected from the battery may cause irritation or burns. If a damaged battery pack leaks battery chemicals, use rubber or neoprene gloves to safely dispose of it. If skin is exposed to battery fluids, wash the affected area with soap and water and rinse with vinegar. If eyes are exposed to battery chemicals, immediately flush with water for 20 minutes and seek medical attention. Remove and dispose of contaminated clothing.
16. Recharge only with the charger specified by the manufacturer. A charger that is suitable for one type of battery pack may create a risk of fire when used with another battery pack.
17. Do not use appliance that is damaged or modified. Damaged or modified batteries may exhibit unpredictable behavior resulting in fire, explosion or risk of injury.











Protection from environmental influences

1. Wear suitable work clothes. Wear safety goggles.
2. Protect your cordless tool and the battery charger from moisture and rain. Moisture and rain can cause dangerous cell damage.
3. Do not use the cordless tool or the battery charger near vapors and flammable liquids.
4. Use the battery charger and cordless tools only in dry conditions and at an ambient temperature of 32°F – 104°F (0°C – 40°C). Do not expose a battery pack or appliance to fire or excessive temperature. Exposure to fire or temperature above 265°F (130°C) may cause explosion.
5. Do not keep the battery charger in places where the temperature is liable to reach over 104°F (40°C). In particular, do not leave the battery charger in a car that is parked in the sunshine.
6. Protect batteries from overheating. Overloads, overcharging and exposure to direct sunlight will result in overheating and cell damage. Never charge or work with batteries that have been overheated.
7. Store the charger and your cordless tool only in dry locations with an ambient temperature of 32°F – 104°F (0°C – 40°C). Store your lithium-ion battery pack in a cool, dry place at a temperature of 77°F (25°C). Protect the battery pack, charger and cordless tool from humidity and direct sunlight. Only place fully charged batteries in storage (charged to at least 40%).

- 8.** Prevent the lithium-ion battery pack from freezing.
Battery packs that were stored below 32°F (0°C) for more than 60 minutes must be discarded.
- 9.** When handling batteries, be wary of electrostatic charge.
Electrostatic discharges can damage the electronic protection system and the battery cells. Avoid electrostatic charging and never touch the battery poles.
- 10.** Follow all charging instructions and do not charge the battery pack or appliance outside of the temperature range specified in the instructions. Charging improperly or at temperatures outside of the specified range may damage the battery and increase the risk of fire.
- 11.** Do not modify or attempt to repair the appliance or the battery pack except as indicated in the instructions for use and care.

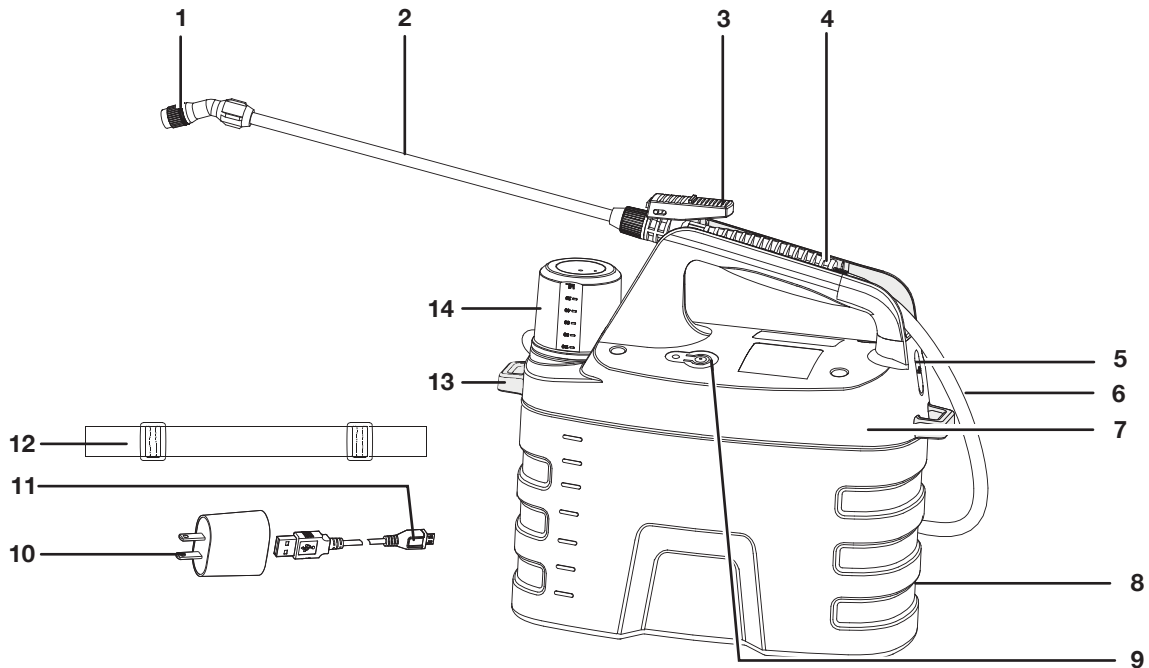
Safety Symbols

The following table depicts and describes safety symbols that may appear on this product. Read, understand, and follow all instructions on the machine before attempting to assemble and operate.

Symbols	Descriptions	Symbols	Descriptions
	READ THE OPERATOR'S MANUAL(S) – Read, understand, and follow all instructions in the user manual(s) before attempting to assemble and operate.		SAFETY ALERT – Indicates a precaution, a warning, or a danger.
	WEAR EYE AND HEARING PROTECTION – For protection against injury, wear ear defenders and safety goggles.		Wear mask for protection during spraying.
	WARNING! Do not expose the unit to rain or wet conditions. Keep dry.		WARNING: Never direct adjustable nozzle at persons, animals, the unit or any other electric components.
	Wear safety gloves during use to protect hands.		Wear safety footwear at all times to provide protection against objects that may accidentally fall on feet.
	Store indoors.		Indoor use only. Only use battery charger indoors.

Know Your Cordless All Purpose Chemical Sprayer

Read the owner's manual and safety rules carefully before operating the all purpose chemical sprayer. Compare the illustration below to the unit in order to familiarize yourself with the location of the various controls and adjustments. Save this manual for future reference.



- | | | |
|------------------|------------------|---------------------------|
| 1. Nozzle | 6. Hose | 11. Charger cable |
| 2. Spray wand | 7. Motor housing | 12. Shoulder strap |
| 3. Trigger | 8. Tank | 13. Strap bar (2) |
| 4. Trigger gun | 9. ON/OFF button | 14. Onboard measuring cup |
| 5. Charger input | 10. Charger plug | |

Technical Data

Motor	3 W	Adjustable Spray Nozzle	Pinpoint to Fan Spray
Battery Voltage*	4V D.C.	Max Flow	6.8 oz/min (0.2 L/min)
Battery Capacity	2.0 Ah	Spray Wand Length	20 in. (51 cm)
Battery Runtime Max	4 hours (sprays 15 gallons/charge)	Tank Capacity	2 Gal (7.6 L)
Charger Input	100 – 240 V AC, 50/60 Hz, 0.3 A	Measuring Cup Capacity	3.4 fl oz (100 ml)
Charger Output	5V D.C. 1.0A	Hose Length	40 in. (102 cm)
Charge Time Max	3.5 hours	Net Weight	2.6 lbs (1.2 kg)

*Initial no-load voltage, when fully charged, peaks at 4.2 volts; nominal voltage under typical load is 3.7 volts.

Unpacking

Carton Contents

- Cordless chemical sprayer with hose
- Spray wand assembly
- Battery charger
- Shoulder strap
- Manuals with registration card

1. Carefully remove the cordless chemical sprayer and check to see that all of the above items are supplied.
2. Inspect the product carefully to make sure no breakage or damage occurred during shipping. If you find damaged or missing parts, DO NOT return the unit to the store. Please call the Snow Joe® + Sun Joe® customer service center at 1-866-SNOWJOE (1-866-766-9563).

NOTE: Do not discard the shipping carton and packaging material until you are ready to use your new cordless chemical sprayer. The packaging is made of recyclable materials. Properly dispose of these materials in accordance with local regulations.

IMPORTANT! The equipment and packaging material are not toys. Do not let children play with plastic bags, foils, or small parts. These items can be swallowed and pose a suffocation risk!

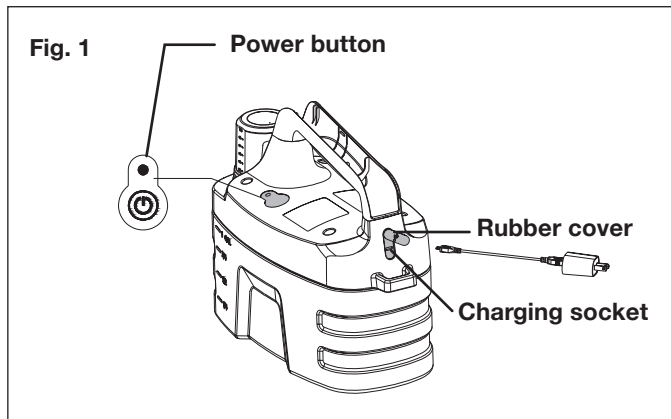
Charging Procedure

The battery charger supplied matches the lithium-ion battery installed in the tool. Do not use other battery chargers.

The lithium-ion battery is protected against deep discharging. When the battery is empty, a protective circuit will automatically switch OFF the machine.

Charging the Battery

1. Plug the charger into an appropriate AC power outlet. Remove the rubber socket cover and connect the charger plug into the charging socket to start charging (Fig. 1).



2. The light on the power button will shine red when it is charging and green once it is complete. The charger turns off automatically once the battery is fully charged. The green light will turn off after 5 hours (Fig. 1).

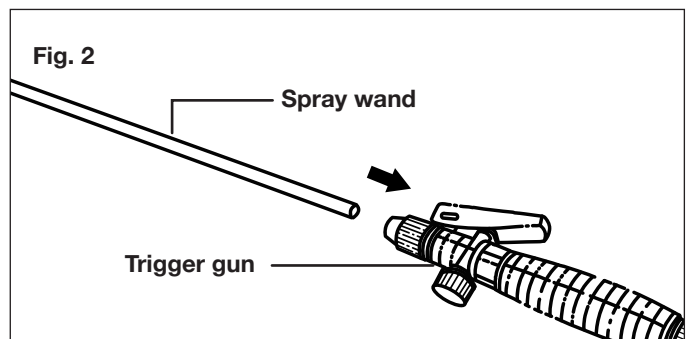
⚠ CAUTION! FIRE HAZARD. When disconnecting the charger from the battery, be sure to unplug the charger from the outlet first, then disconnect the charger from the battery.

3. Timely recharging of the battery will help prolong the battery's life. You must recharge the battery pack when you notice a drop in the equipment's power.

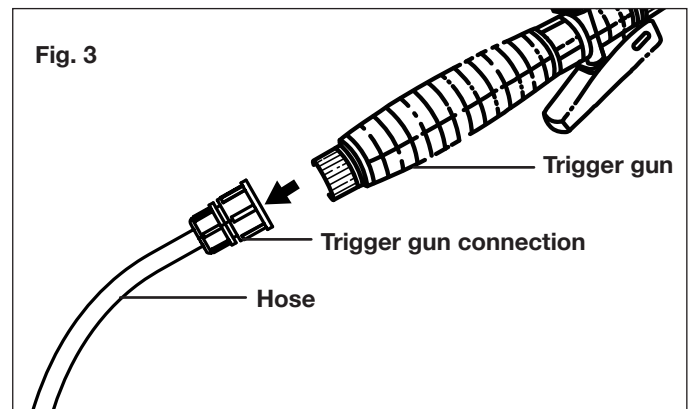
IMPORTANT! Never allow the battery pack to become fully discharged as this will cause irreversible damage to the battery.

Assembly

1. Insert the water outlet end of the trigger gun into the end of spray wand as show (Fig. 2), and turn counter clockwise to tighten.

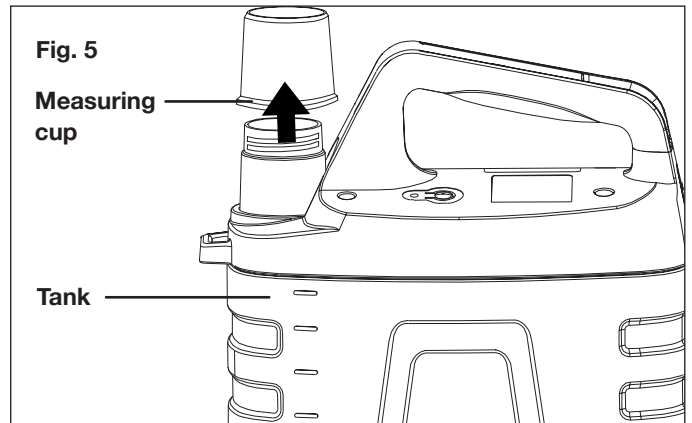
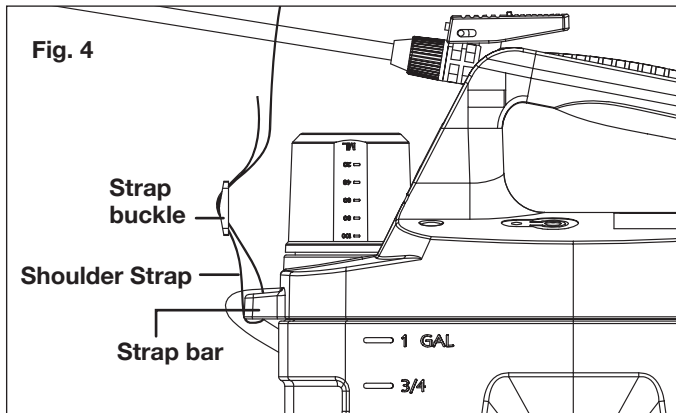


2. Insert the trigger gun inlet end into the trigger gun connection on the hose and turn to tighten securely (Fig. 3). The sprayer is ready to use.



Adding the Shoulder Strap

1. Slide each end of the shoulder strap into each strap bar on the ends of the unit. Then, securely weave the ends of the straps into the strap buckle (Fig. 4).



Operation

⚠️ WARNING! Do not allow familiarity with the product to make you careless. Remember that a careless fraction of a second is sufficient to inflict serious injury.

⚠️ CAUTION! Always wear eye protection during operation. Failure to do so could result in fluids entering your eyes resulting in possible serious injury.

This chemical sprayer is designed for use with most consumer grade home and garden chemicals, such as insecticides, fungicides, weed killers, and fertilizers. Follow instructions below for proper operation of this unit.

⚠️ WARNING! The chemical sprayer is intended for household use only.

Filling the Tank

⚠️ WARNING! Always follow the chemical manufacturer's instructions printed on their product labelling for use, cleaning, and storage. Clean thoroughly after each use, following the instructions in the Maintenance section of this manual. Chemicals should be stored out of the reach of children. Failure to do so may result in serious personal injury.

Liquids to be sprayed must be as thin as water. Thicker liquids will not spray properly. Follow the instruction below to fill the tank with proper solution. You can also premix the solution and pour it into the tank, using a funnel if needed.

⚠️ WARNING! If powder detergent is desired, make sure to dissolve the powder in water completely to avoid any clogging.

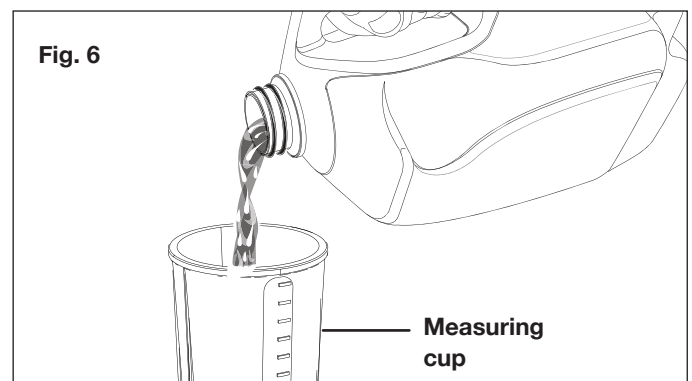
NOTE: If using a measuring container other than the cup, or if using a funnel to fill the tank, be sure to thoroughly clean and rinse these items after use. If premixing the spray solution, rinse the container used for mixing.

1. Turn off the unit.
2. Remove the measuring cup from the tank (Fig. 5).

3. Fill the tank with the desired amount of water (up to 1 gallon).

NOTE: DO NOT overfill the tank.

4. Measure the recommended amount of solution with the measuring cup. The cup may be used for measuring up to 3.4 fl oz (Fig. 6).

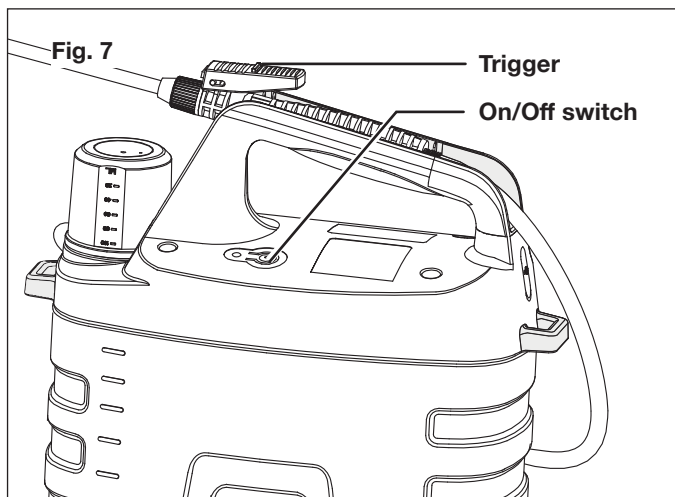


5. Carefully pour the measured solution into the tank.
6. Rinse the measuring cup with clean water. Screw it back onto the tank, making sure it is tightened securely.

NOTE: It is important to thoroughly clean the unit after each use. Allowing liquid to remain in an idle tool for an extended period may cause its moving pieces and connectors to seize up.

Starting + Stopping

1. Press the On/Off button, the switch will light up to indicate that the sprayer is in standby mode. Press the trigger on the trigger gun to start the sprayer (Fig. 7).



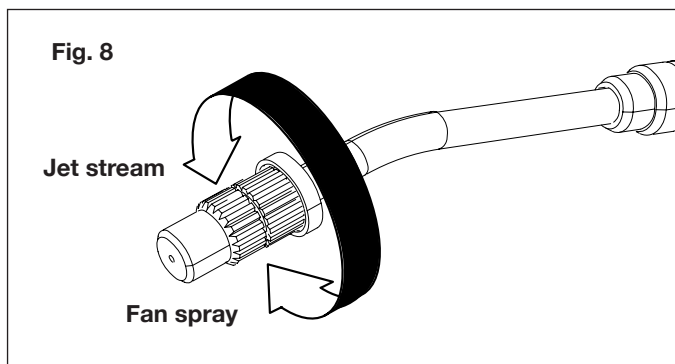
2. Release the trigger to stop the sprayer. Press the On/Off button (Fig. 7).
3. The sprayer will turn off automatically once it is empty.

⚠ WARNING! Make sure the trigger is not locked on before turning the unit on.

Spray Adjustment

The spray can be adjusted from a jet stream to a fan spray by the adjustable nozzle. Follow the instructions below to adjust the spray.

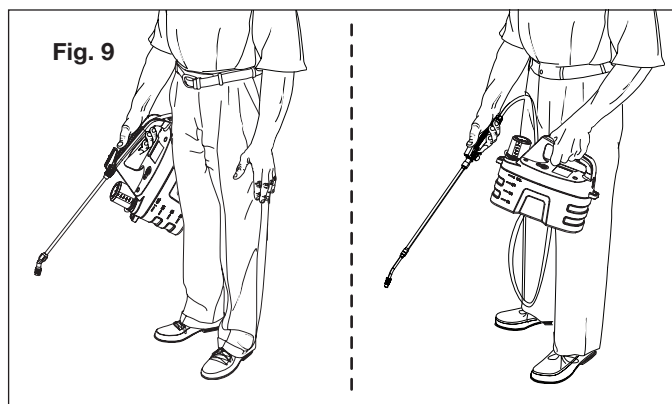
1. Turn off the unit.
2. Rotate the adjustable nozzle to adjust the spray as shown (Fig. 8).



3. Turn the unit back on and continue working.

General Operation

1. The sprayer may be operated with the trigger gun resting in the handle + trigger gun holder, or you may remove and hold the trigger gun and the sprayer in separate hand (Fig. 9).



2. Aim the sprayer nozzle directly at the plants or objects to be sprayed.

NOTE: Make sure to stand far enough from the object being sprayed to prevent the spray from splashing back onto you.

3. Press the trigger to start spray.
4. After using, release the trigger and turn off the unit.
5. Thoroughly wash your hands and any area where skin has been exposed to the spray. Drain and clean the cordless sprayer as directed in the Maintenance section.

Operating Tips

- Never point the nozzle tip at yourself or others.
- Avoid spraying on windy days. Spray can be accidentally blown onto plants or objects that should not be sprayed.
- Never spray in the direction of people or animals; always spray downwind.
- Especially in warmer weather, spray in the early morning or late afternoon. Excessive heat can evaporate the spray before it settles.
- Never smoke, eat, or drink while operating the sprayer.

Maintenance

⚠ WARNING! When servicing, use only identical replacement parts. Use of any other parts may create a hazard or cause product damage.

Avoid using solvents when cleaning plastic parts. Most plastics are susceptible to damage from various types of commercial solvents and may be damaged by their use. Use clean cloths to remove dirt, dust, oil, grease, etc.

⚠ WARNING! Do not at any time let brake fluids, gasoline, penetrating oils, etc., come in contact with plastic parts. Chemicals can damage, weaken, or destroy plastic which may result in serious personal injury.

Draining the Tank

If there is any liquid left in the tank after spraying, the tank should be drained before cleaning. Do not store chemicals in the tank.

1. Unscrew the measuring cup and drain the tank thoroughly.

⚠ WARNING! Always store and dispose of chemicals properly. Disposal of contaminated water should be performed according to local ordinances and by laws.

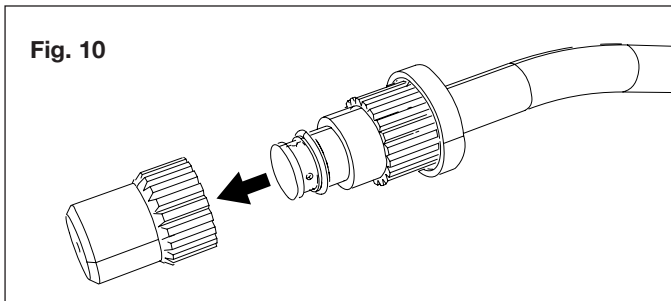
Clean the Tank

1. Fill the tank about one-third full with clean water, and shake to reach all areas of the inside of the tank.
NOTE: Never use flammable chemicals or abrasive cleaning agents to clean the tank.
2. Drain the tank as directed above.
3. Wipe the outside of the tank with a clean, dry cloth.

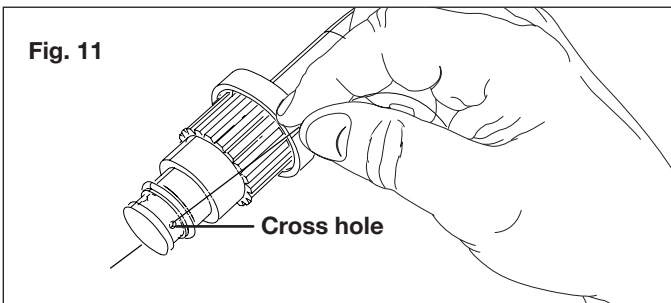
Clean the Nozzle

During longtime use, the nozzle may become clogged. Follow the instructions below to clean clogged nozzle.

1. Turn off the unit.
2. Unscrew and remove the nozzle from the spray wand (Fig. 10).



3. Push a narrow string through the cross holes to clear any debris (Fig. 11). If necessary, rinse the cross holes and nozzle with clean water.



4. Wipe the nozzle and cross holes with a clean dry cloth and reinstall the nozzle.

Storage

1. Examine the cordless chemical sprayer thoroughly for worn, loose or damaged parts. Should you need to repair or replace a part, contact an authorized Snow Joe® + Sun Joe® dealer or call the Snow Joe® + Sun Joe® customer service center at 1-866-SNOWJOE (1-866-766-9563) for assistance.
2. Store the cordless chemical sprayer indoors in a locked, ventilated, dry place out of the reach of children to prevent unauthorized use or damage.

Service and Support

If your Sun Joe® SJ-APS-2G-RM cordless chemical sprayer requires service or maintenance, please call the Snow Joe® + Sun Joe® customer service center at 1-866-SNOWJOE (1-866-766-9563).

Model and Serial Numbers

When contacting the company, reordering parts or arranging service from an authorized dealer, you will need to provide the model and serial numbers, which can be found on the decal located on the housing of the unit. Copy these numbers into the space provided below.

Record the following numbers from the housing or handle of your new product:	
Model #:	
S J - A P S - 2 G - R M	
Serial #:	

NOTES

NOTES



SNOW JOE® + SUN JOE® REFURBISHED GOODS WARRANTY

GENERAL CONDITIONS:

Snow Joe® + Sun Joe® operating under Snow Joe®, LLC warrants this refurbished product to the original purchaser for 90 days against defects in material or workmanship when used for normal residential purposes. If a replacement part or product is needed, it will be sent free of charge to the original purchaser except as noted below.

The duration of this warranty applies only if the product is put to personal use around the household. It is the owner's responsibility to correctly perform all maintenance and minor adjustments explained in the owner's manual.

HOW TO OBTAIN YOUR REPLACEMENT PART OR PRODUCT:

To obtain a replacement part or product, please visit snowjoe.com/help or email us at help@snowjoe.com for instructions. Please be sure to register your unit beforehand to speed up this process. Certain products may require a serial number, typically found on the decal affixed to the housing or guard of your product. All products require a valid proof of purchase.

EXCLUSIONS:

- Wearing parts like belts, augers, chains and tines are not covered under this warranty. Wearing parts can be purchased at snowjoe.com or by calling 1-866-SNOWJOE (1-866-766-9563).
- Batteries are covered in full for 90-days from the date of purchase.

Snow Joe® + Sun Joe® may from time to time change the design of its products. Nothing contained in this warranty shall be construed as obligating Snow Joe® + Sun Joe® to incorporate such design changes into previously manufactured products, nor shall such changes be construed as an admission that previous designs were defective.

This warranty is intended to cover product defects only. Snow Joe®, LLC is not liable for indirect, incidental or consequential damages in connection with the use or misuse of the Snow Joe® + Sun Joe® products covered by this warranty. This warranty does not cover any cost or expense incurred by the purchaser in providing substitute equipment or service during reasonable periods of malfunction or non-use of this product while waiting for a replacement part or unit under this warranty. Some states do not allow exclusions of incidental or consequential damages so the above exclusions may not apply in all states. This warranty may give you specific legal rights in your state.

HOW TO REACH US:

We're here to help Monday through Friday from 9AM to 7PM EST and Saturday and Sunday 9AM to 4PM. You can reach us at 1-866-SNOWJOE (1 866-766-9563), online at snowjoe.com, via email at help@snowjoe.com or tweet us @snowjoe.

EXPORTS:

Customers who have purchased Snow Joe® + Sun Joe® products exported from the United States and Canada should contact their Snow Joe® + Sun Joe® distributor (dealer) to obtain information applicable to your country, province or state. If for any reason, you are not satisfied with the distributor's service, or if you have difficulty obtaining warranty information, contact your Snow Joe® + Sun Joe® seller. If in the event your efforts are unsatisfactory, please reach out to us directly.



sunjoe.com